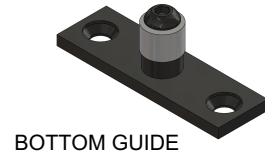
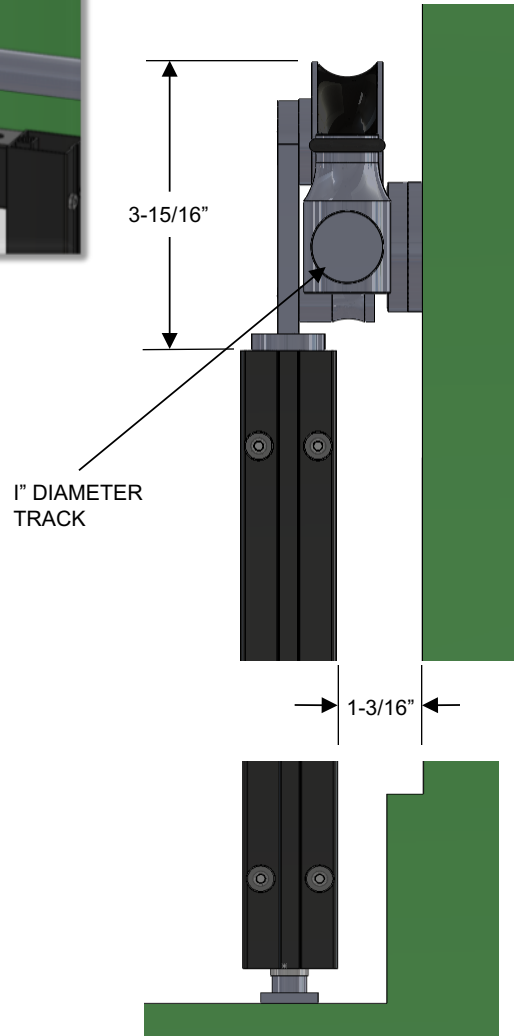
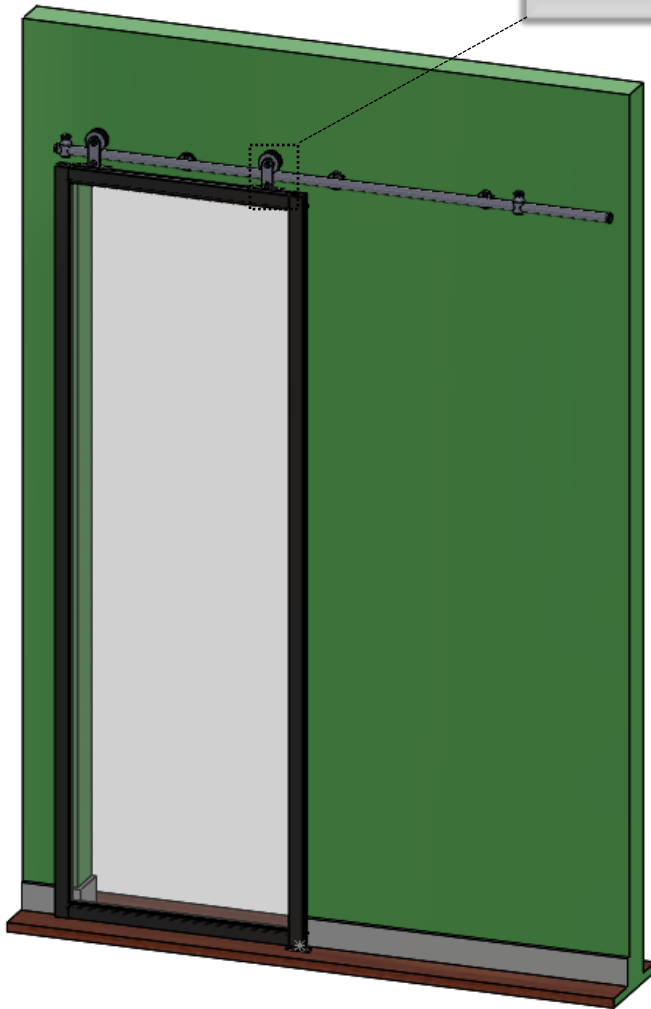
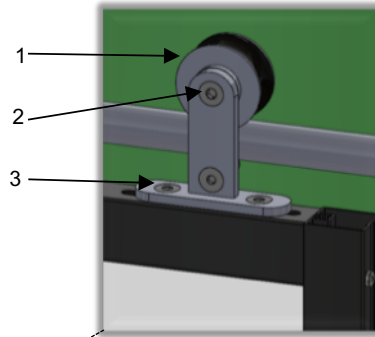


**ROLLER FEATURES:**

1. STAINLESS STEEL,  
w/ 2 3/16" DIAMETER ROLLER
2. ANTI-JUMP FEATURE
3. ADJUSTABLE ROLLER LOCATION

**DOOR FEATURES:**

1. 6063-T5 ALUMINUM EXTRUSION
2. GLASS OR MIRROR OPTIONS



**CONFIGURATIONS:**



SINGLE DOOR LEFT OR RIGHT



DOUBLE DOORS